

# Hand pallet truck 0.75 ton

**BT lifter**  
Ultra Low



# Hand pallet truck

Truck specifications					LHM075UL
Identification	1.1	Manufacturer			BT
	1.2	Manufacturer's type designation			LHM075UL
	1.4	Operator type			Hand
	1.5	Load capacity/rated load	Q(t)	kg	750
	1.6	Load centre distance	c	mm	600
	1.8	Load distance, centre of drive axle to fork	x	mm	880 <sup>1)</sup>
	1.9	Wheelbase	y	mm	1104 <sup>1)</sup>
Weight	2.1	Service weight		kg	80
	2.2	Axle load, with load, drive/castor/fork wheel		kg	—
	2.3	Axle load, without load, drive/castor/fork wheel		kg	—
Wheels	3.1	Steer/fork wheels: Powerthane (Po), Steel (S) Nylon (N), Polyurethane (P), Rubber (R), Rubber antistatic (Ra)			Po, S, N, P, R, Ra/ N, P
	3.2	Wheel size, front			175x60
	3.3	Wheel size, rear			xx / 35x50 <sup>2)</sup>
	3.5	Wheels, number front/rear (x=driven wheels)			2/4 <sup>2)</sup>
	3.6	Track width, front	b <sub>10</sub>	mm	132
	3.7	Track width, rear	b <sub>11</sub>	mm	316/364
	Dimensions	4.4	Lift	h <sub>3</sub>	mm
		Lift height	h <sub>23</sub>	mm	135
4.9		Height of tiller in drive position, min./max.	h <sub>14</sub>	mm	1220
4.15		Height, lowered	h <sub>13</sub>	mm	35
4.19		Overall length	l <sub>1</sub>	mm	1510
4.20		Length to face of forks	l <sub>2</sub>	mm	365
4.21		Overall width	b <sub>1</sub> /b <sub>2</sub>	mm	520 <sup>3)</sup>
4.22		Fork dimensions	s/e/l	mm	30/156/1150 <sup>4)</sup>
4.25		Width over forks	b <sub>5</sub>	mm	472/520 <sup>3)</sup>
4.32		Ground clearance, centre of wheelbase	m <sub>2</sub>	mm	5
4.33		Aisle width for pallets 1000 x 1200 crossways	A <sub>st</sub>	mm	1525 <sup>1)</sup>
4.34		Aisle width for pallets 800 x 1200 lengthways	A <sub>st</sub>	mm	1725 <sup>1)</sup>
4.35		Turning radius	W <sub>a</sub>	mm	1370 <sup>1)</sup>

1) Distance with forks raised

2) Singel wheel / Boggie wheel

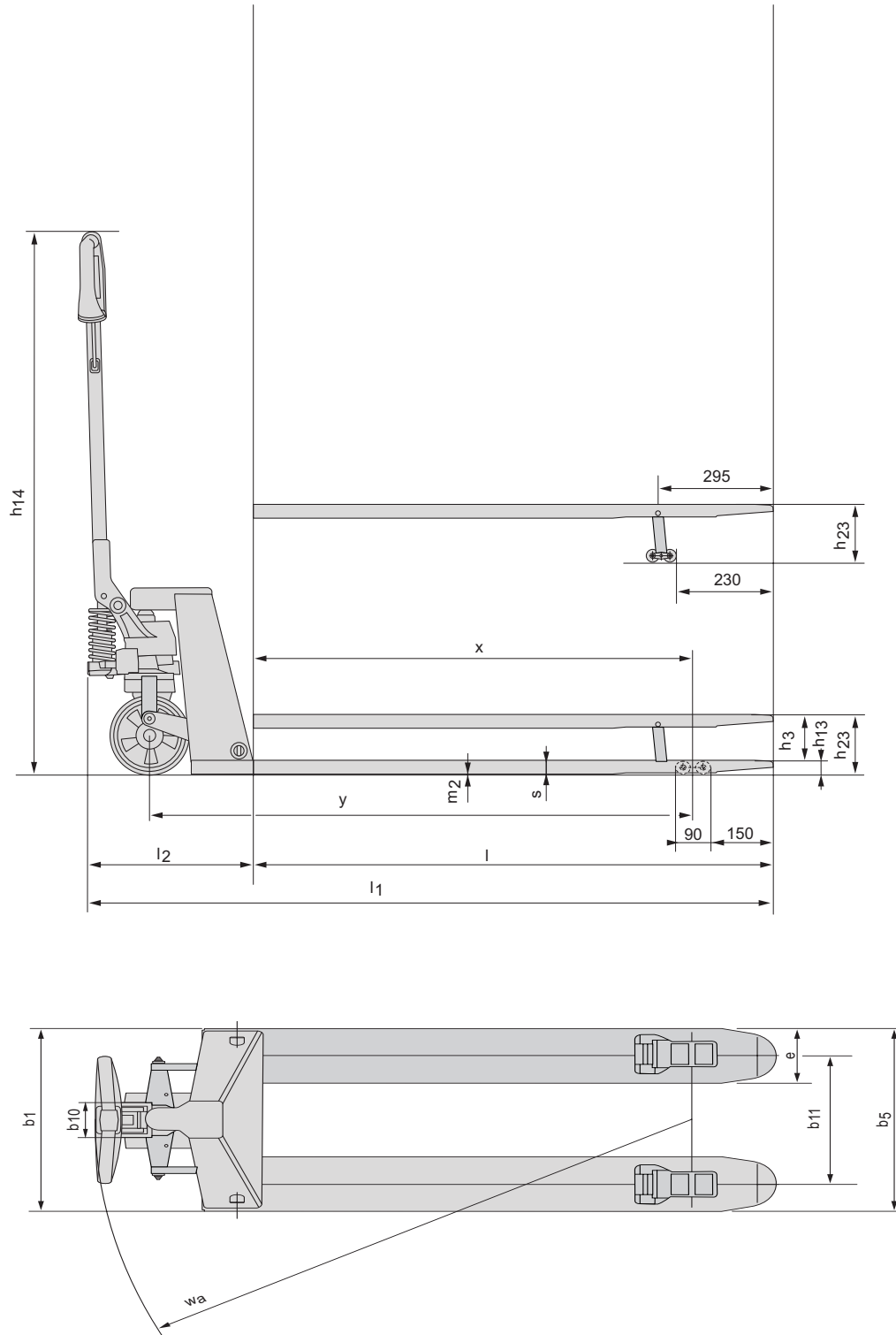
3) Other widths available on request

4) Other fork lenght available: 800/910/1000/1070/1220

All data are based on table configuration. Other configurations may give other values.

Truck performance and dimensions are nominal and subject to tolerances.

Specifications are subject to change without notice.



---

## Truck features:

- Designed for load carriers with very low pallet tunnels.
- Despite low minimum fork height, capable of lifting a standard EUR pallet.
- Quick Lift function is standard.
- Fork tips are chamfered for easy climbing over small objects.
- Customized configurations – a part of our offer.
- Robust design and still low weight – easy to manoeuvre.
- Powder coating and robot welding give a high and even finish.
- Angled high strength polymer handle for best ergonomic grip.
- BT lowering control valve enables smooth, controlled lowering action.
- Strong powerful thrust bearing is standard, for easier steering and enhanced durability
- Greasable bushings ensure long service life.
- Quick lift and overload can be combined.
- This product has been environmentally declared.



TP-Technical Publications, Sweden — 745351-040, version 1, 0912